



COLLEGE OF AGRICULTURAL ENGINEERING AND TECHNOLOGY,
Dr. BALASAHEB SAWANT KONKAN KRISHI VIDYAPEETH,
Dapoli 415712, Dist: Ratnagiri (MS)

Off: (02358)282414

Fax: (02358) 282414



No.DBSSKKV/CAET/FMP/PU/1690 /of 2023

Date:

To,

07 AUG 2023

Sub: Quotation for purchase of Mango harvester ring...

Sir,

This College intends to purchase following material. Therefore, you are requested to please send us the quotation in sealed envelope with terms and conditions of sales and payment, i.e. quote your rates on F.O.R. Dapoli inclusive of all taxes, so as to reach this office on or before dated 30.8.2023

If you are an authorized dealer please submit the respective certificate. Please quote the reference no. of envelop. The specification of the items and required quantity is as shown below.

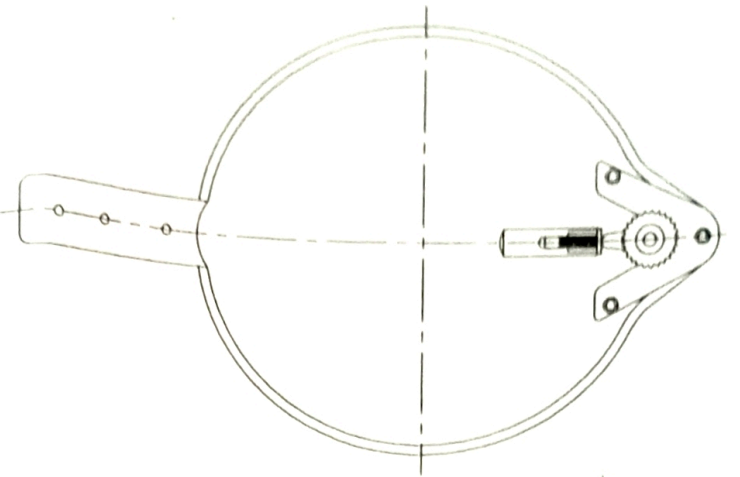
S. N.	Particular	Qty.
1	Nutan mango harvester ring (As per our design and specification)	500
2	Naveen mango harvester ring (As per our design and specification)	1000

The quotation may please be sent in the favour of Associate Dean, College of Agricultural Engineering and Technology, Dapoli so as to reach this office at earliest.

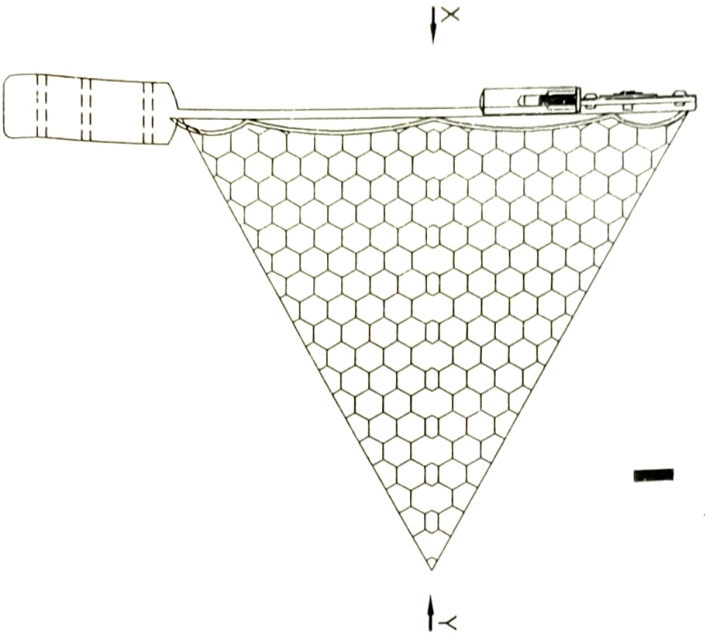
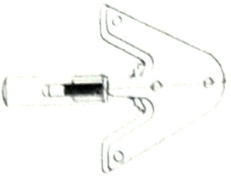
Thanking you.

Yours faithfully,


Associate Dean



VIEW: X



VIEW: Y

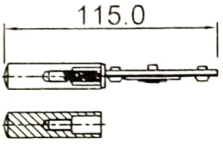
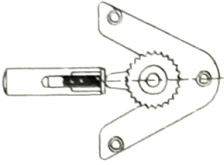


Fig. No.: CAET-013
Material:

**NAVIN MANGO
HARVESTER**

Drawn by: Girish

Checked by: Kishor Dhande

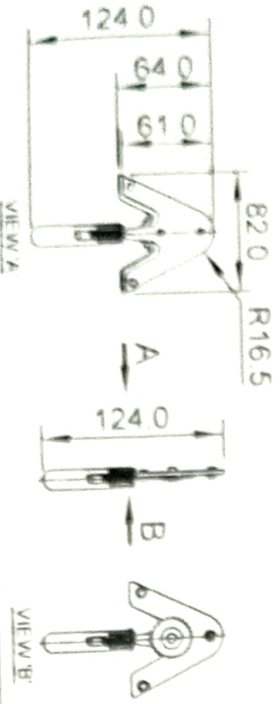
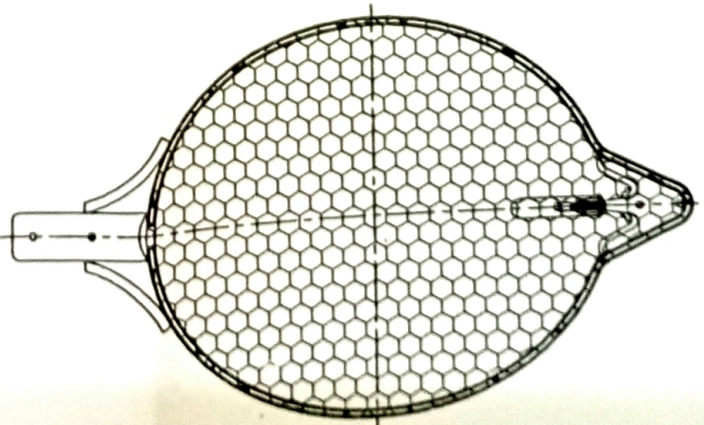
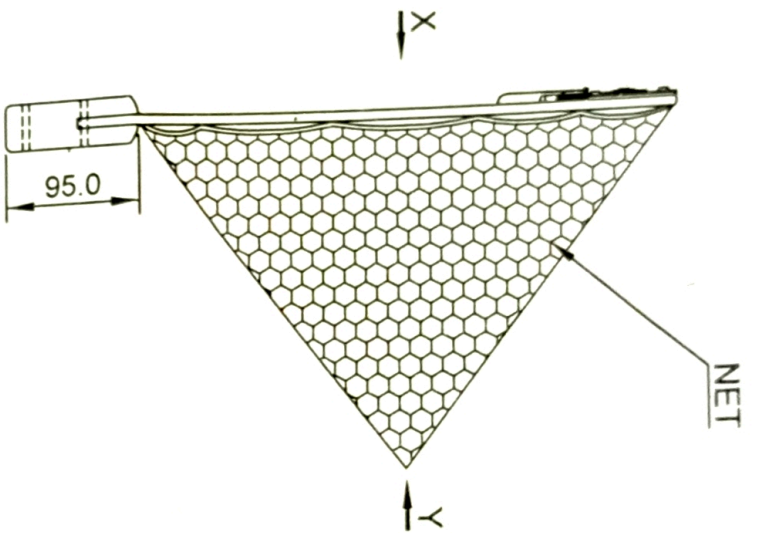
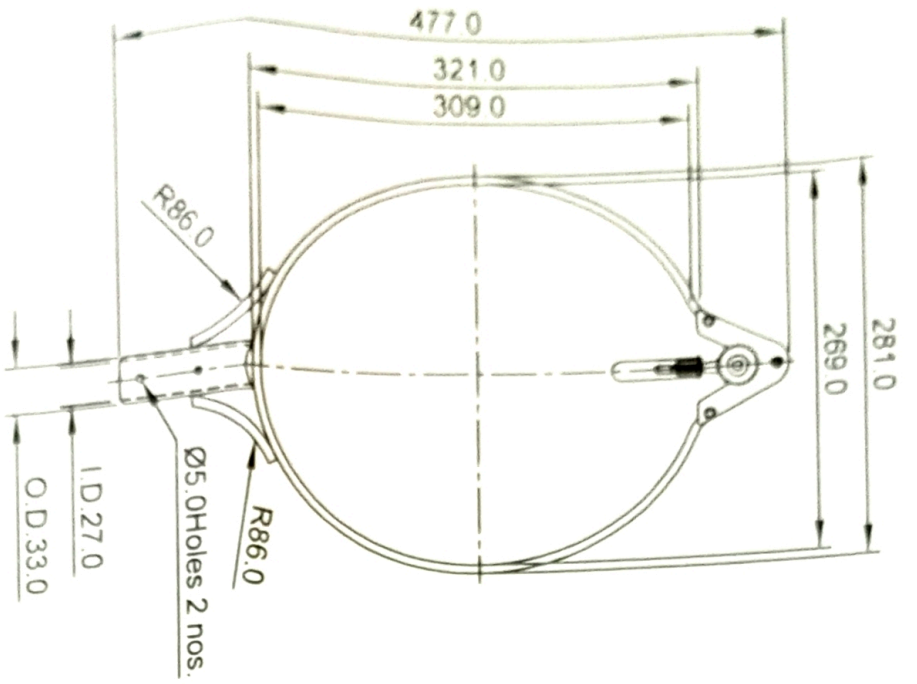
Scale: 1:1

Remark:

(All dimensions are in mm)

Sr. No.	Description	Material	Qty.

Warning: Copying Or Production Of Designs Is Liable For Legal Action



Sr. No.	Description	Material	Qty.

Drawn by: Girish

Checked by: Kishor Dhande

Scale: 1:1

Remark:

Fig No: 000

CLAIMS

NUTAN MANGO HARVESTER (10F4)

Copyright © 2014 by Dr. Jyoti Patil

Dr. Jyoti Patil, Maharashtra Agricultural University, Maharashtra